

Laser Power & Energy Meter

PM

RoHS

CE

Catalog Code

W5069

We have a lineup of a complete meter less memory stick size type laser power and energy meter and two types (for low power and high power) of laser power and energy meter connecting with display (PEM-TS-4.3).

- Complete meter less model is very small and performs measurement and analysis with PC.
- Display connecting model can be used with a lightweight touch screen display in a narrow environment where a PC cannot be installed.



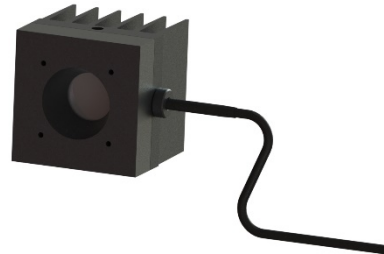
PM02-12D-BB-USB



PM10-20D-HP-USB



PM02-12D-BB

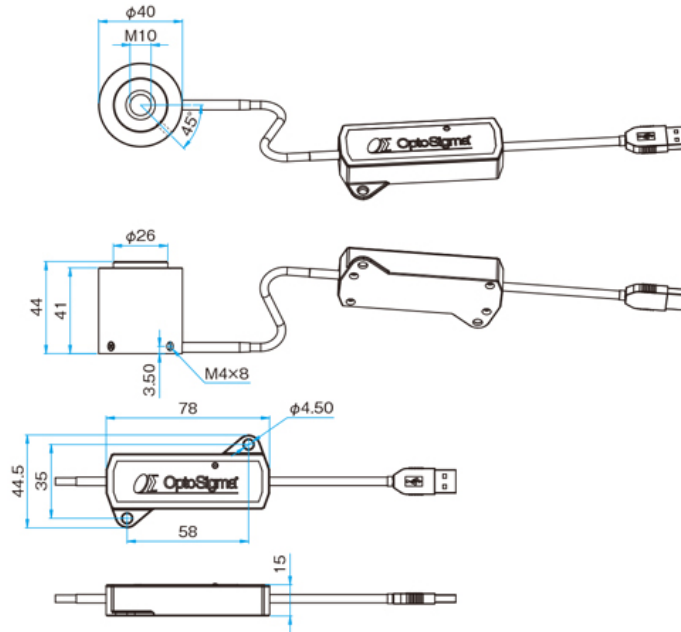


PM10-20D-HP

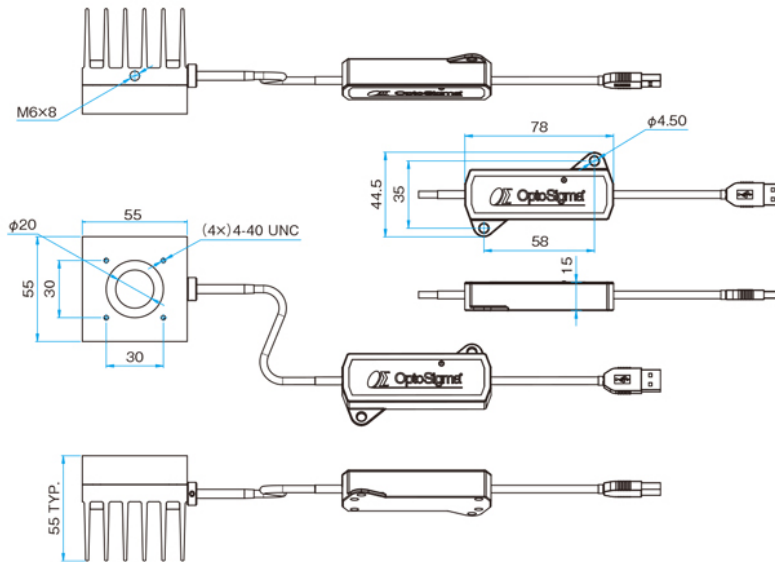
Specifications	PM02-12D-BB-USB	PM10-20D-HP-USB	PM02-12D-BB	PM10-20D-HP
Part Number	PM02-12D-BB-USB	PM10-20D-HP-USB	PM02-12D-BB	PM10-20D-HP
Power range	0.1 mW - 200 mW	10 mW - 10 W	0.1 mW - 200 mW	10 mW - 10 W
Max intermittent	200 mW	15 W	200 mW	15 W
Energy Range	0.5mJ – 200mJ	25mJ -15J	1mJ – 200mJ	10mJ -15J
Useful Aperture [mm]	10	12	10	12
Spectral Range[μ m]	0.19 - 25	0.19 - 11	0.19 - 25	0.19 - 11
Cooling	Convection	Convection	Convection	Convection
Weight[kg]	0.2	0.3	0.2	0.3

Outline Drawing

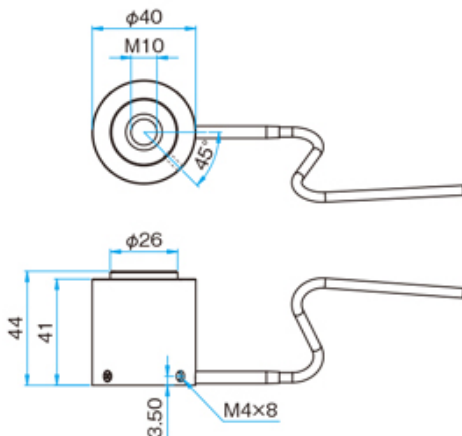
PM02-12D-BB-USB



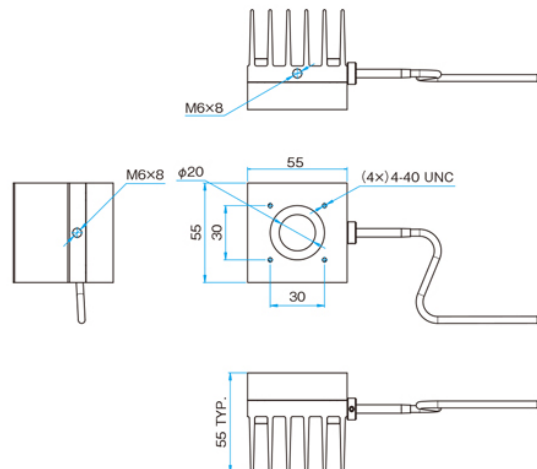
PM10-20D-HP-USB



PM02-12D-BB



PM10-20D-HP



A lightweight touch screen display which can measure various light sources such as laser to indicate light or energy.

The 4.3 inch color display is optimal size to operate by touching the screen. In addition, analog output, simple data storage and wavelength setting is available.

- General wavelength of laser is set in advance for wavelength setting. Other specific wavelength can be input and display easily.
- The selected data can be saved in the USB memory via USB port.

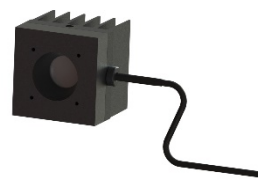


Guide

- ▶ PM02-12D-BB or PM10-20D-HP can be connected.
- ▶ Application software for PC can be downloaded via our web site.



PM02-12D-BB



PM10-20D-HP

Specifications	
Part Number	PEM-TS-4.3
External Dimensions[mm]	H170 × W100 × D36-50
Weight[kg]	0.38kg

Operating manual attached.