

Ultra-Violet Cut Filters | NHOTM

RoHS

Catalog Code

W3223

Dichroic filter transmit only visible light and reject ultraviolet and infrared light. Filters are perfect for applications that require high reflectance in the infrared spectrum and excellent transmission in the visible.

- Excellent optic for survival in high temperature and high humidity environments.



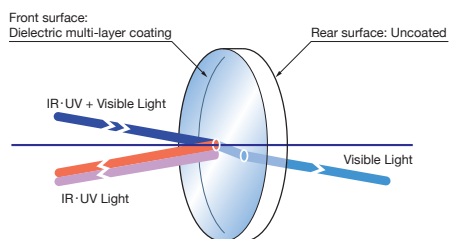
Specifications

Material	BK7
Surface flatness before Coating	3λ per φ25.4mm
Incident angle	0° – 15°
Coating	Dielectric multi-layer coating
Max temperature	300°C
Surface Quality (Scratch-Dig)	80-50

Attention

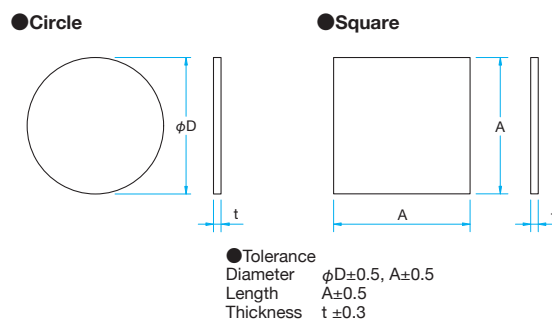
- ▶ Designed for incident angle of 0 to 15 degrees, use at more extreme angles will change wavelength characteristic of transmittance and reflectance and not provide desired result.
- ▶ The backside of the filter is not coated with AR and may result in a ghost image.

Schematic



Outline Drawing

(in mm)



Circle

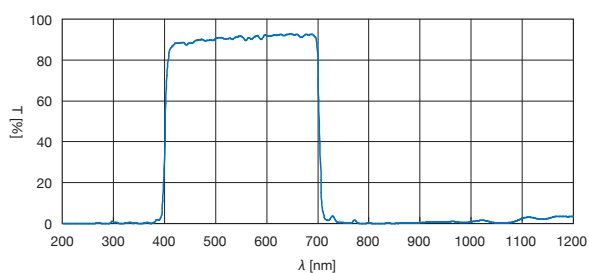
Part Number	Diameter ϕD [mm]	Thickness t [mm]	Transmittance (420 – 680nm) [%]	Transmittance (200 – 380nm) [%]	Transmittance (730 – 1500nm) [%]
NHOTM-25.4C3.3	φ25.4	3.3	>Average 85	<Average 1	<Average 5
NHOTM-50.8C3.3	φ50.8	3.3	>Average 85	<Average 1	<Average 5

Square

Part Number	Length A [mm]	Thickness t [mm]	Transmittance (420 – 680nm) [%]	Transmittance (200 – 380nm) [%]	Transmittance (730 – 1500nm) [%]
NHOTM-25.4S3.3	25.4	3.3	>Average 85	<Average 1	<Average 5
NHOTM-50.8S3.3	50.8	3.3	>Average 85	<Average 1	<Average 5

Typical Transmittance Data

T: Transmission



Compatible Optic Mounts

FHS-25, -50